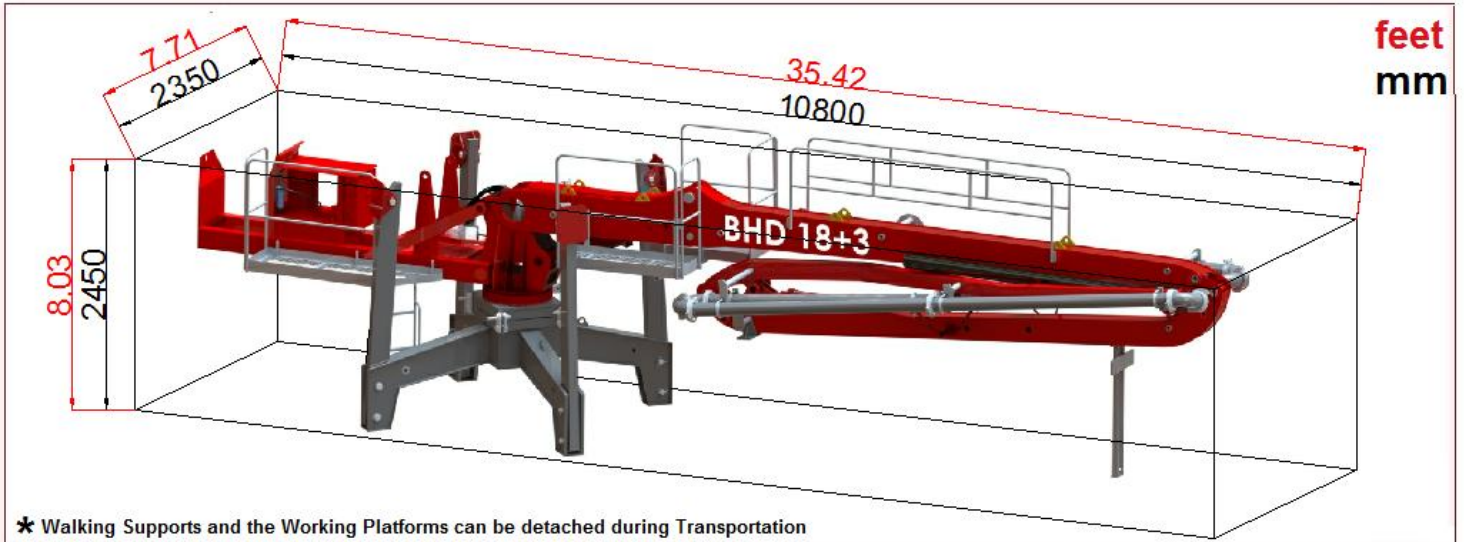


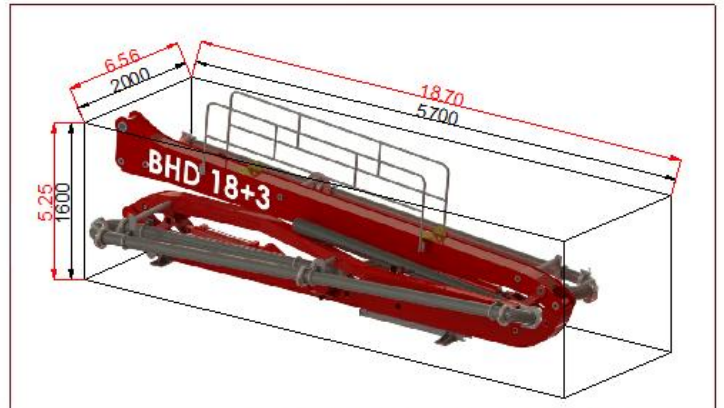
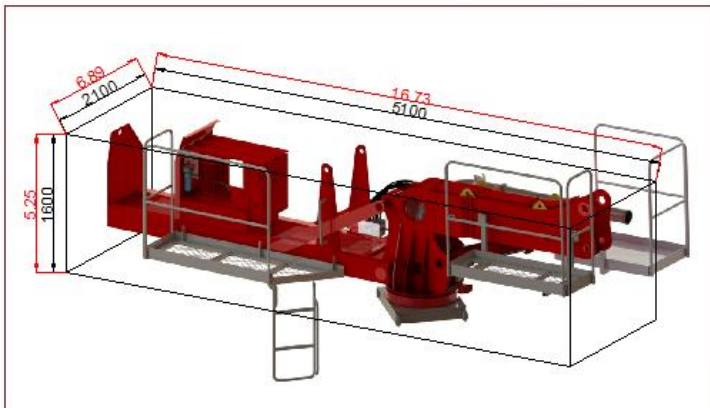
BHD 18+3

Transportation Size (4150 kg) (9130 lbs)

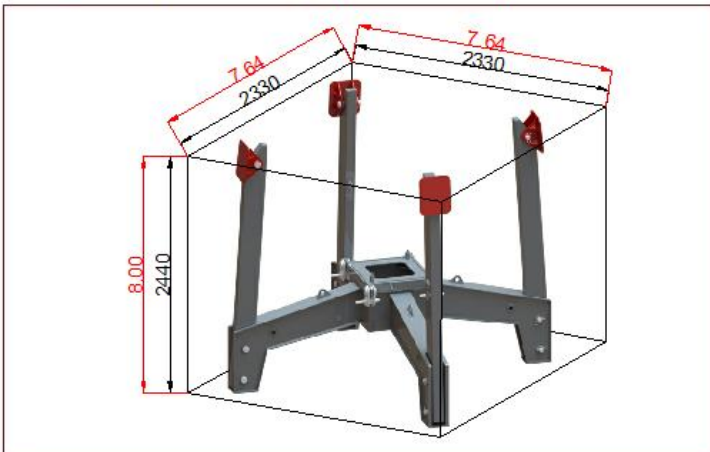


★ Walking Supports and the Working Platforms can be detached during Transportation

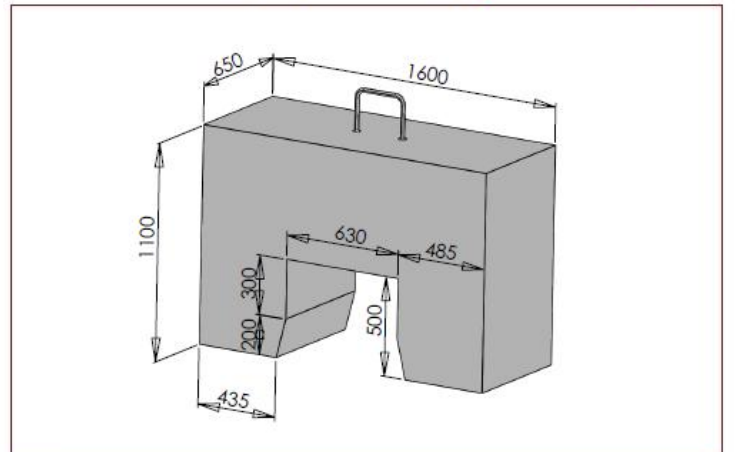
Ballast Beam&Mainboom (1350 kg) (2970 lbs) Boom Section (1750 kg) (3850 lbs)



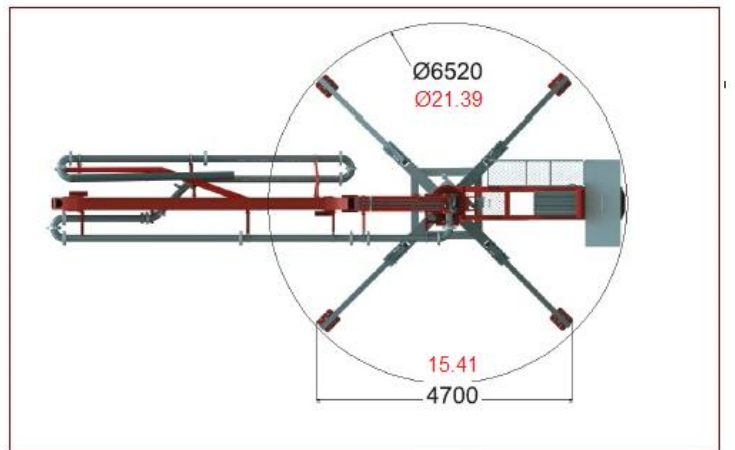
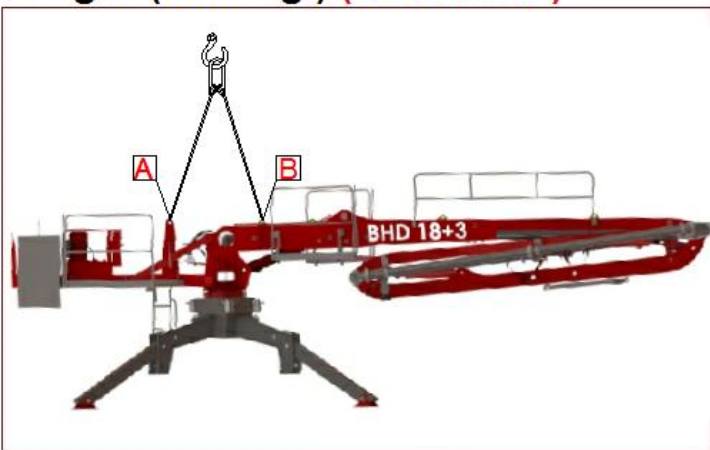
Leg set (1050 kg) (2310 lbs)



Counterweight: (2500 kg) (5500 lbs)



Weight: (6650 kg) (14.630 lbs)



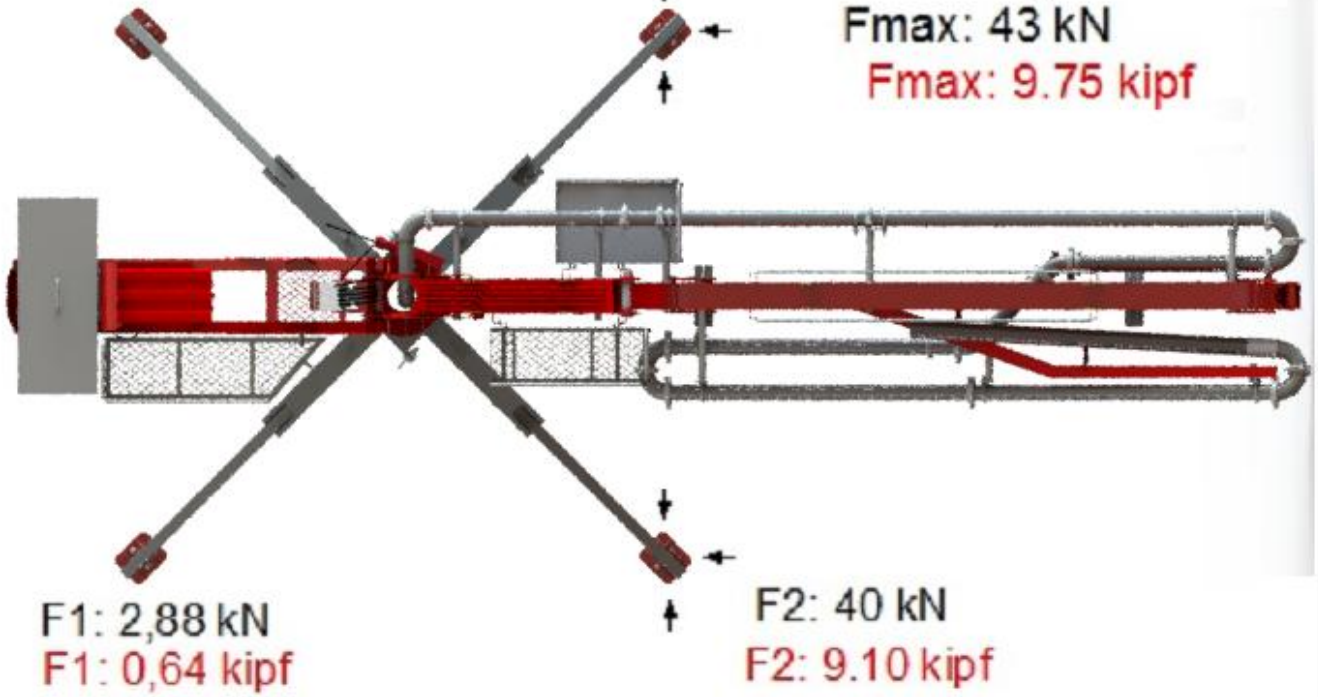
BHD 18+3

(X) Position

F1: 2,88 kN
F1: 0,64 kipf

Fmax: 9,75 kipf
Fmax: 43 kN

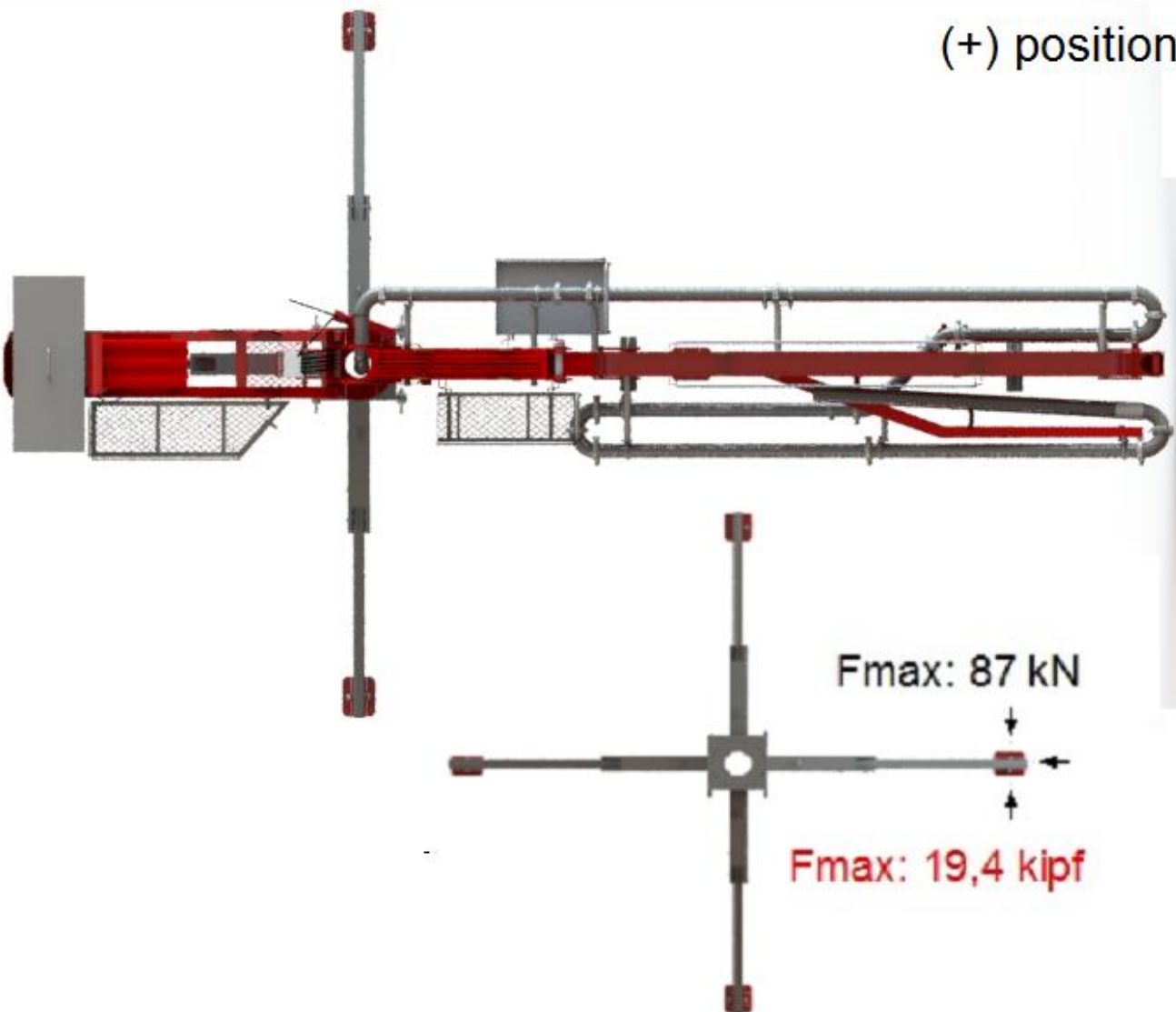
Fmax: 43 kN
Fmax: 9.75 kipf



F1: 2,88 kN
F1: 0,64 kipf

F2: 40 kN
F2: 9.10 kipf

(+) position



Fmax: 87 kN

Fmax: 19,4 kipf

BHD 18+3

