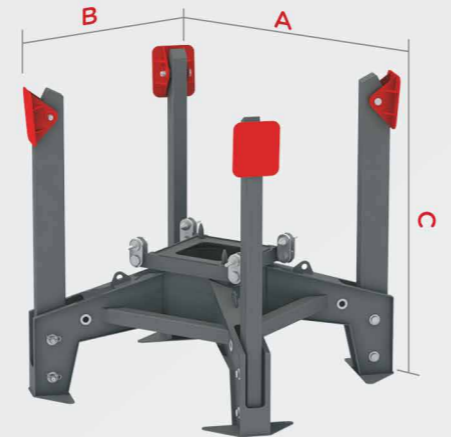


BHD 13R3

W/O Counterweight	kg	lb
	2950	6503

Leg Set

Weight	kg	lb
	825	1818



Dimensions

	mm	inch
A	1900	A 75
B	1900	B 75
C	2100	C 82.5



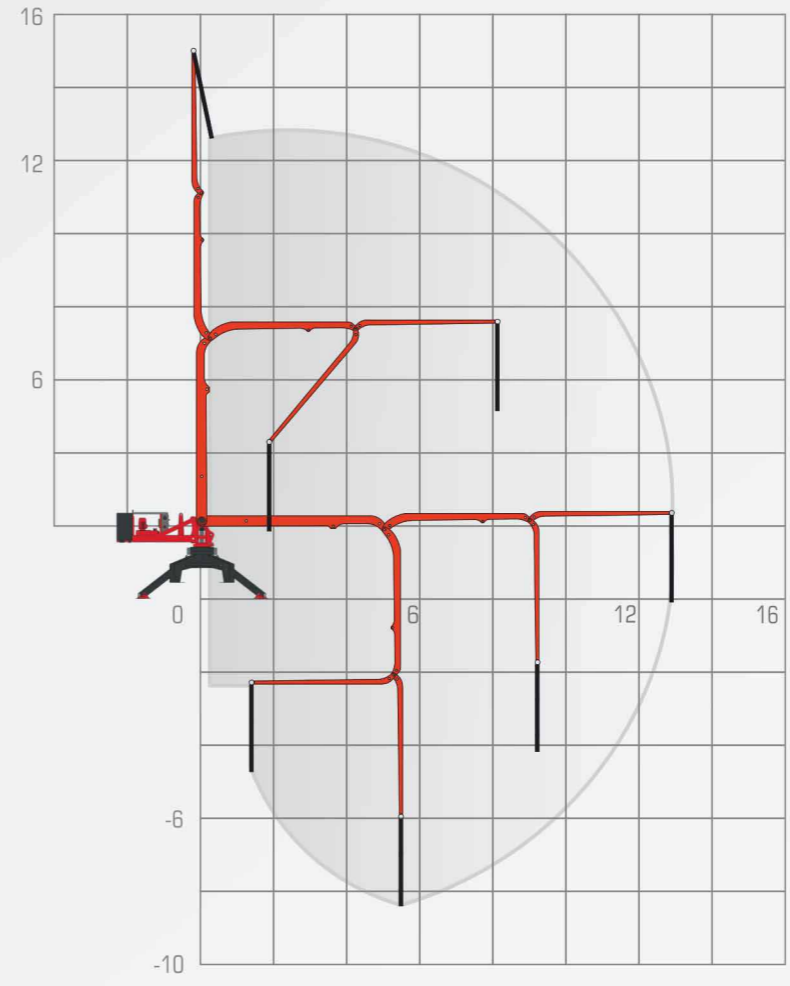
Boom Section & Ballast Beam

Weight	kg	lb
	2125	4684



Dimensions

	mm	inch
A	8000	A 315
B	1600	B 63
C	1250	C 49



Concrete Placing Boom
BHD 13R3
 Technical Specifications

Weight	kg	lb
Ballast Beam & Bom Section :	2125	4684
Leg Set :	825	1818
	+	+
	2950	6502

	kg	lb
Counterweight 1500 kg x 1 :	1500	3306

*Specifications are subject to change without notice

