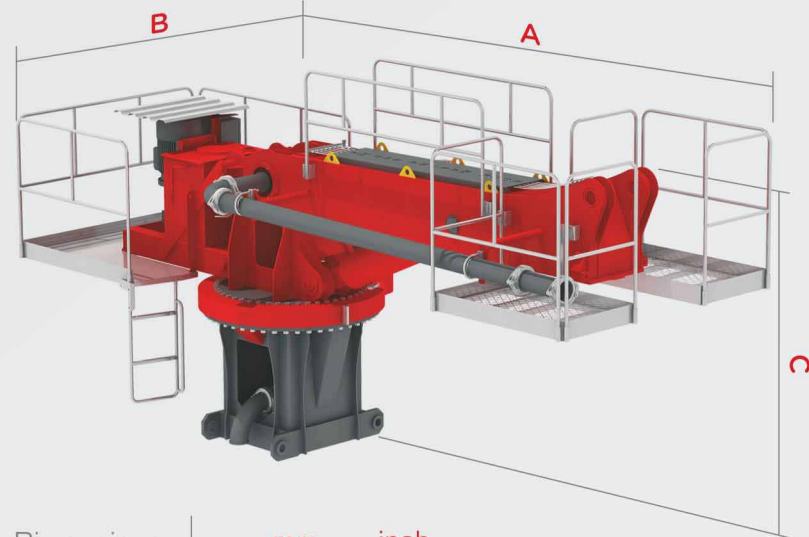


Boom Pedestal & Mainboom

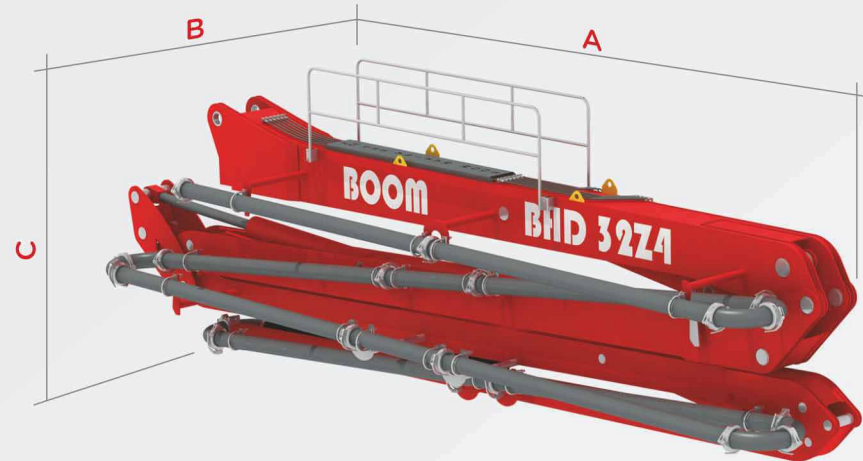
Weight	kg	lb
	4750	10471



Dimensions	mm	inch
A	3200	126
B	2150	84.5
C	2100	82.5

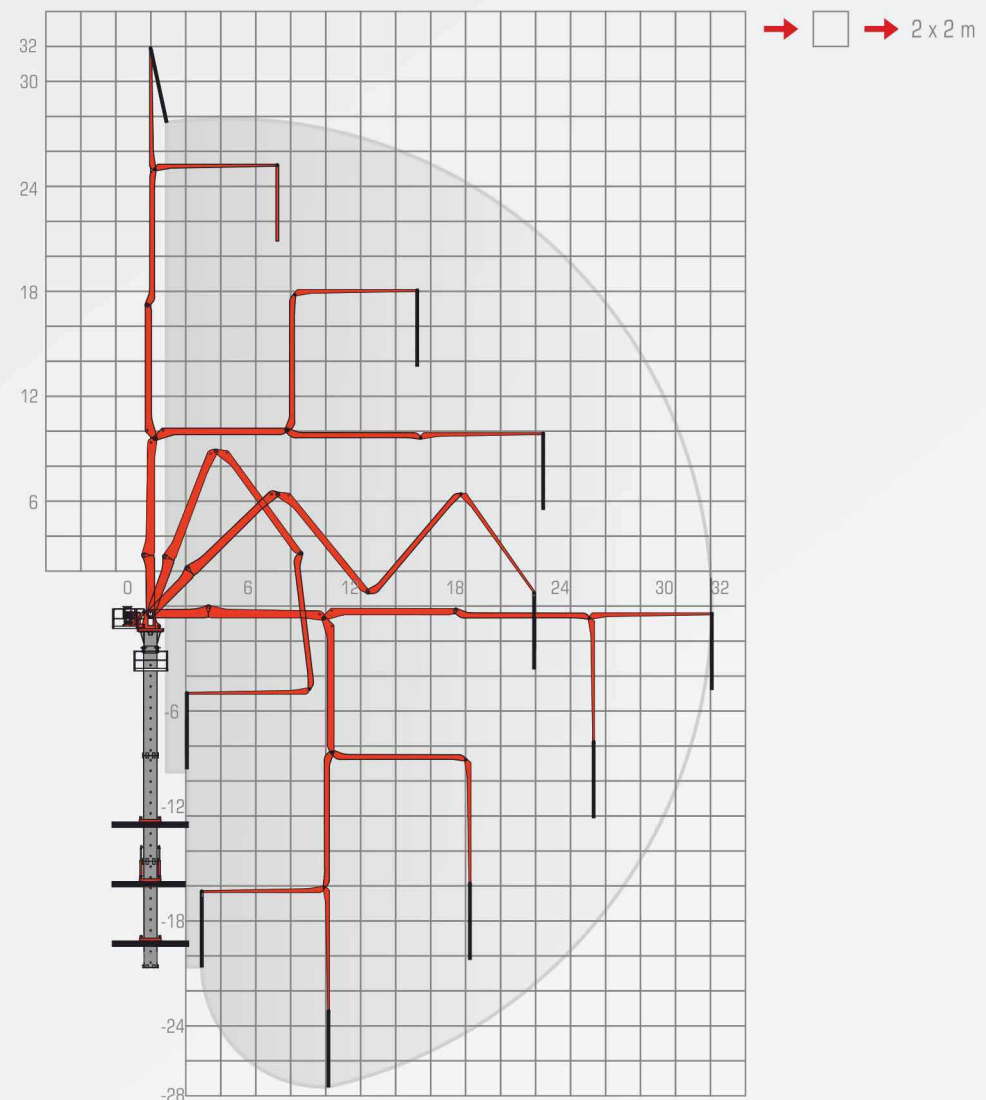
Boom Section

Weight	kg	lb
	4600	10141



Dimensions	mm	inch
A	7500	295
B	1600	63
C	2200	86.5

Concrete Placing Boom  
**BHD 32Z4**  
Technical Specifications



Mast Dimensions  
mm | 750 x 750 x 6000  
inch | 295 x 295 x 2362

Weight	kg	lb
Pedestal & Mainboom	4750	10471
Boom Section	4600	10141
Equipment	1950	4299
Mast Unit 3 x 2150 kg	6450	14219
	<b>+</b>	<b>+</b>
	17750	39130

\*Specifications are subject to change without notice